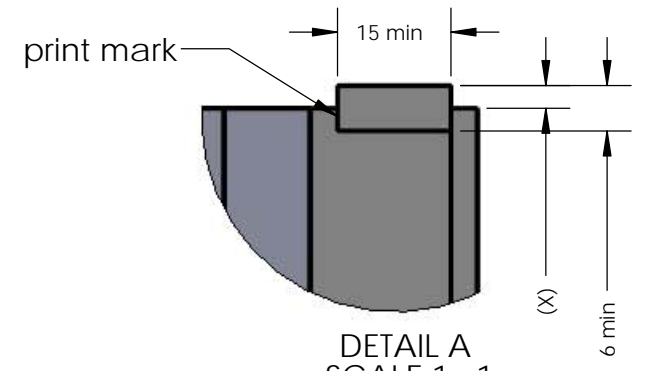
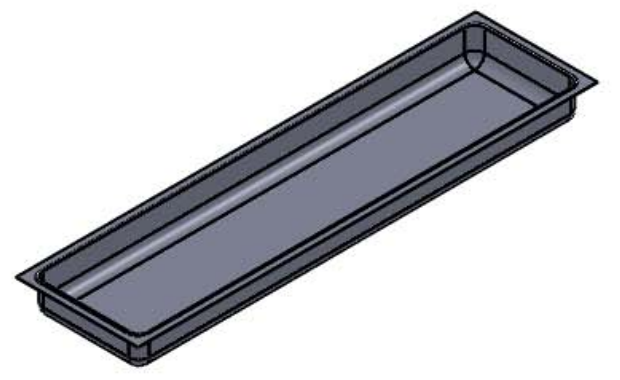


MACHINE
DIRECTION



DETAIL A
SCALE 1 : 1

(X)=Print Mark Tolerance
see VC999 doc.#11.27.73

Approval required for production

Approved: _____
 Approved with noted changes: _____
 Resubmit after noted changes: _____
 Date: _____

This document as well as the data contained in it, are not allowed to be passed on to third parties without the expressed consent of VC999 Packaging Systems or Inauen Group.

520/430 4:1 spg layout

419 East 11th Avenue Kansas City, MO 64116
 Telephone 816-472-8999 Fax 816-472-1999



Scale 1:4	Drawn by	DDW
	Checked by	DDW
	Date	-

Part No.	
Drawing File	Sheet1 of 1