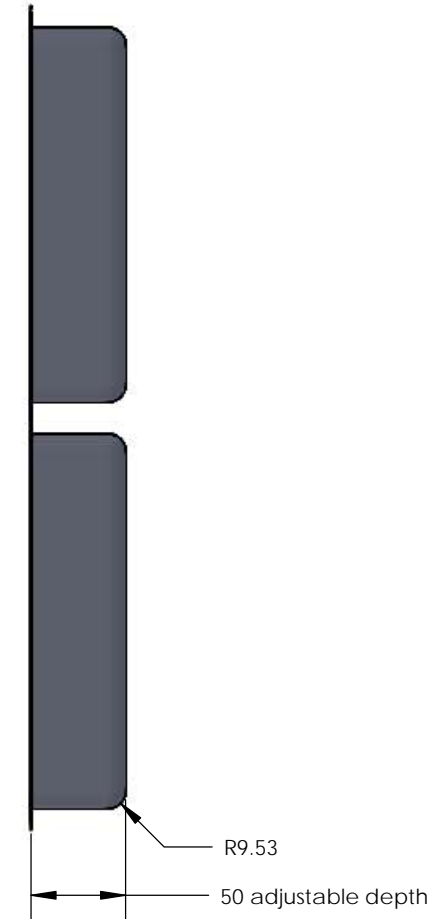
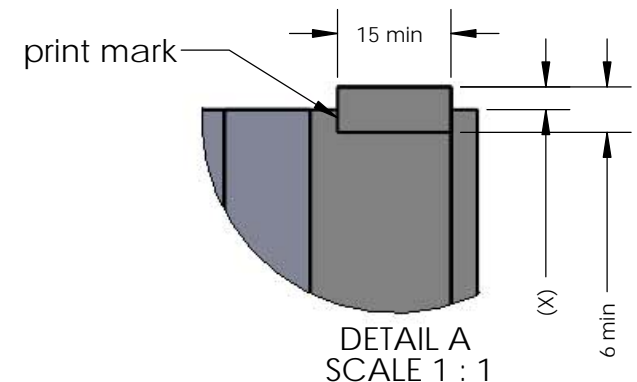
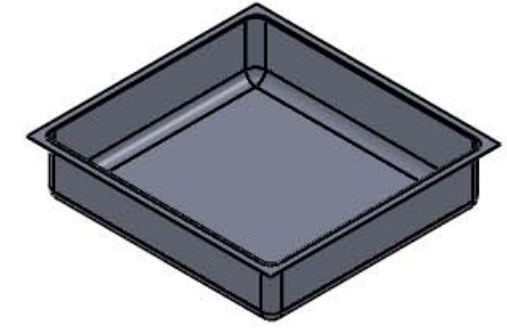


R9.53



MACHINE  
DIRECTION



DETAIL A  
SCALE 1 : 1

(X)=Print Mark Tolerance  
see VC999 doc.#11.27.73

**Approval required for production**

Approved: \_\_\_\_\_

Approved with noted changes: \_\_\_\_\_

Resubmit after noted changes: \_\_\_\_\_

Date: \_\_\_\_\_

This document as well as the data contained in it, are not allowed to be passed on to third parties without the expressed consent of VC999 Packaging Systems or Inauen Group.

520/430 2:2 spg layout

Scale <b>1:4</b>	Drawn by	DDW
	Checked by	DDW
	Date	-

419 East 11th Avenue Kansas City, MO 64116  
Telephone 816-472-8999 Fax 816-472-1999



Part No.	
Drawing File	Sheet1 of 1